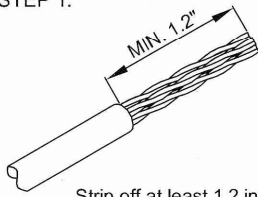


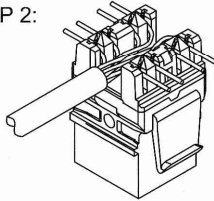
## Termination

STEP 1:



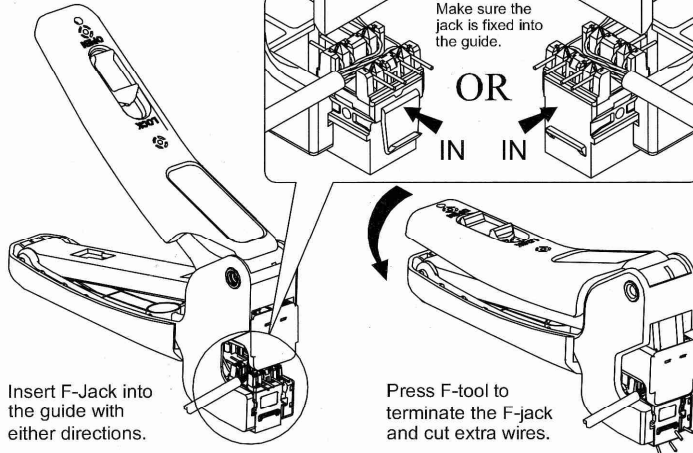
Strip off at least 1.2 inch of jacket from end of cable.

STEP 2:



Press the wires through the projecting portion of terminals until fixed.

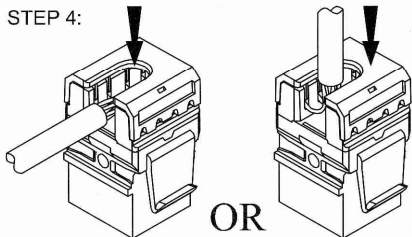
STEP 3:



Insert F-Jack into the guide with either directions.

Press F-tool to terminate the F-jack and cut extra wires.

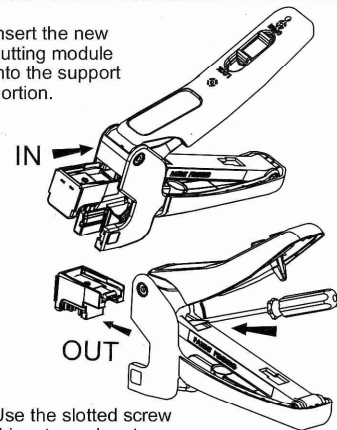
STEP 4:



Place cap on F-Jack and press to make sure it is fully seated. The cap opening allows the cable enters the jack from side or rear.

## Cutting Module Assembly

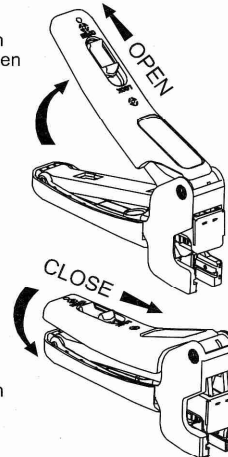
Insert the new cutting module into the support portion.



Use the slotted screw driver to push out the cutting module.

## Handle Lock

USE:  
Press the switch downward to open the handle.



STORAGE:  
Press the switch upward to lock the handle.