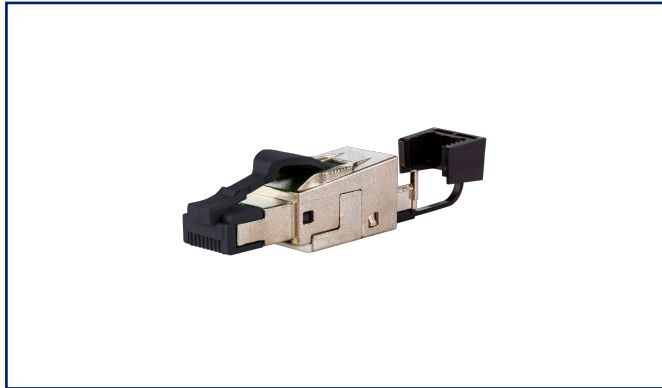


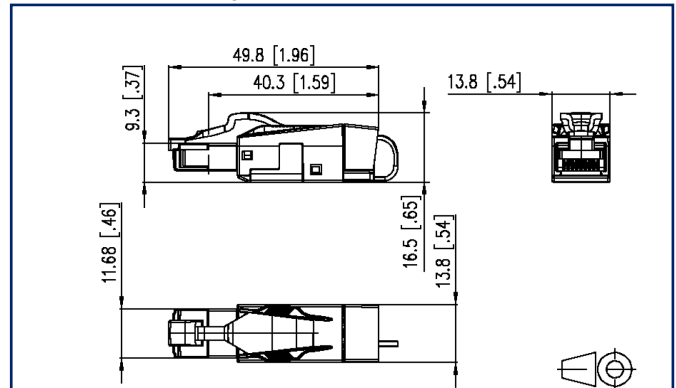
Data sheet

C6_A RJ45 field plug pro

Illustrations



Dimensional drawing



See enlarged drawings at the end of document

Product specification

- Cat.6_A class E_A RJ45 plug to be assembled in the field
- fully shielded and multi-port capable
- straight (180°) cable feed
- easy assembly - connection without special tools
- wire connection: stranded wire AWG 27/7 to 22/7, wire diameter from 0.46 to 0.76 mm
- wire connection: solid wire AWG 26/1 to 22/1, wire diameter from 0.409 to 0.64 mm
- transmission characteristics Cat.6_A according to ISO/IEC 11801
- compliance with class E_A according to ISO/IEC 11801, DIN EN 50173-1
- degree of protection IP20
- for cable jacket diameter from 5.5 to 9.5 mm
- zinc die-cast housing for industrial use consists of only 2 parts
- strain relief by latching clip directly on the stuffer cap
- protected locking hook
- reconnectable



P | Cabling

Data sheet

Page 2/6

C6_A RJ45 field plug pro

P/N

130E405032-E

EAN 4250184180593

2024/01/09

Version: AK

Technical Data

General Data

Fields of application	structured building cabling
Mechanical measurement according to MICE	M1
Ingress measurement according to MICE	I1
Climatic measurement according to MICE	C1
Electromagnetic measurement according to MICE	E2
Design	plug
Shielding	shielded
Transmission technology	Copper
Color	black
Dimensions	
Dimension (L x W x H)	49.8 mm x 13.8 mm x 16.5 mm
Dimension (L x W x H)	1.961 in. x 0.543 in. x 0.65 in.
Field assembly ability	yes
Multi-port capability	yes
Labeling option	on housing
Marking option	by latching clip

Transmission characteristics

Category (ISO)	6 _A
Class (ISO/IEC)	E _A
Category (TIA)	6A
Remote Powering	yes
PoE	IEEE 802.3af
PoE plus	IEEE 802.3at
UPoE	yes
4PPoE	IEEE 802.3bt
HDBaseT	yes
Transmission rate up to 10 GBit	IEEE 802.3an

P | Cabling

Data sheet

C6_A RJ45 field plug pro

Page 3/6

P/N

130E405032-E

EAN 4250184180593

2024/01/09

Version: AK

Technical Data

Connections/interfaces

Connector technology interface 1	IDC-connection
Connector technology interface 2	RJ45 plug
Number of ports interface 2	1
Number of ports interface 2 equipped	1
Number of positions/contacts interface 1	8
Number of positions/contacts interface 2	8P/8C
Termination data, solid wire (min. - max.)	
Conductor cross section, solid wire	AWG 26/1 - AWG 22/1
Conductor cross section, solid wire	0.128 mm ² - 0.324 mm ²
Conductor diameter, solid wire (bare copper)	0.409 mm - 0.643 mm
Conductor diameter, solid wire (bare copper)	0.016 in. - 0.025 in.
Termination data, stranded wire (min. - max.)	
Conductor cross section, stranded wire	AWG 27/7 - AWG 22/7
Conductor cross section, stranded wire	0.111 mm ² - 0.355 mm ²
Conductor diameter, stranded wire (bare copper)	0.457 mm - 0.762 mm
Conductor diameter, stranded wire (bare copper)	0.018 in. - 0.03 in.
Aderdurchmesser (min.-max.)	
Core diameter (conductor with insulation)	1.6 mm
Core diameter (conductor with insulation)	0.063 in.
Cable sheath diameter (min. - max.)	
Cable sheath diameter	5.5 mm - 10.5 mm
Cable sheath diameter	0.217 in. - 0.413 in.
Cable access/outlet	180°
Reconnectibility	yes, if cross section is greater or the same
Shield connection	flexible contact spring

Electrical characteristics

Current carrying capacity	max. 1 A
Rated voltage	max. 50 V
Contact resistance	max. 20 mOhm
Insulation resistance	min. 500 MOhm
Dielectric strength conductor-conductor (secondary)	1000 V DC
Dielectric strength conductor-shield	1500 V DC



P | Cabling

Data sheet

Page 4/6

C6_A RJ45 field plug pro

P/N

130E405032-E

EAN 4250184180593

2024/01/09

Version: AK

Technical Data

Mechanical data

Mounting method	snap-in function
Insertion and withdrawal force	max. 20 N
Life - Number of mating cycles	min. 750
Position/mounting of latch standard installation position	top
strain relief	latching clip

Materials and material properties

Material - Housing	GD-Zn (zinc die-cast)
Material - Contact	CuSn (tin bronze)
Material - Contact finish	Ni + Au (nickel-gold)
Material - Latch	Plastics
Halogen free	yes
Material - Finish	Ni (nickel)
RoHS	compliant

Environmental conditions

Temperature (min. - max.)	
Temperature - Storage °C	-40 °C - 85 °C
Temperature - Storage °F	-40 °F - 185 °F
Temperature - Operating °C	-40 °C - 85 °C
Temperature - Operating °F	-40 °F - 185 °F
Note for Temperature - Storage	Visual inspection after 500 hours of ageing at 95 °C (203 °C), report available on request.
Particulate ingress	IP2X
Liquid ingress/immersion	IPX0

Approvals

UL listed (file no.)



DUXR.E178484

P | Cabling

Data sheet

Page 5/6

C6_A RJ45 field plug pro

P/N

130E405032-E

EAN 4250184180593

2024/01/09

Version: AK

Technical Data

Standards/Regulations

Generic cabling systems

General requirements	ANSI/TIA-568-C
Office buildings	ISO/IEC 11801 Ed.2.2: 2011-06 DIN EN 50173-2 ANSI/TIA-568-C
Industrial area	ISO/IEC 24702 DIN EN 50173-3 ANSI/TIA-1005
Living units	ISO/IEC 15018 DIN EN 50173-4 ANSI/TIA-570-B

Application-specific communications cabling systems

Profinet	yes
Industrial communication networks Installation in industrial premises	IEC 61918

Connectors for electronic equipment

Free and fixed connectors	IEC 60603-7-51
---------------------------	----------------

Connectors for electronic equipment - Tests and measurements

Test standard for connectors (engaging and separating connectors under electrical load)	DIN-EN 60512-99-001, DIN-EN 60512-99-002
---	--

Interference proof

Immunity for industrial environments	DIN EN 61000-6-2:2006-03
--------------------------------------	--------------------------

Emission proof

Electromagnetic emission for residential, commercial and light-industrial environments	DIN EN 61000-6-3:2011-09
--	--------------------------

Classifications

ETIM 5.0	EC001121
ETIM 6.0	EC001121
ETIM 7.0	EC001121
ETIM 8.0	EC001121
ETIM 9.0	EC001121

Packing details

Type of packaging	10 pc(s) / box
Packaging unit - Weight (gram)	413 g
Packaging unit - Weight (pound)	0.91 lb
Packaging dimension	258 mm x 164 mm x 51 mm
Packaging dimension	10.157 in. x 6.457 in. x 2.008 in.

P | Cabling

Data sheet

C6_A RJ45 field plug pro

Page 6/6

P/N

130E405032-E

EAN 4250184180593

2024/01/09

Version: AK

Illustrations

Dimensional drawing

