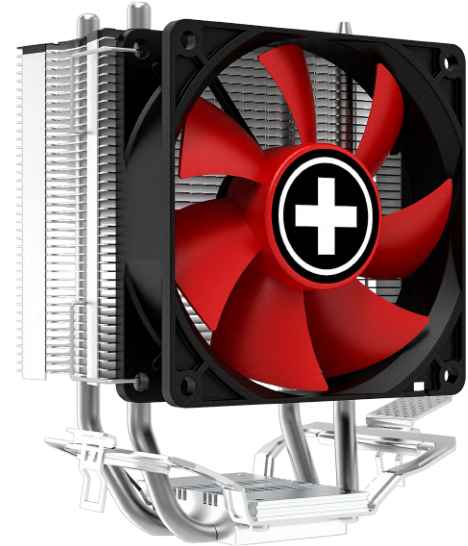


Performance C Series

AMD CPU Cooler A402

With the A402 AMD cooler which is part of the Performance C Series, XILENCE presents a compact but very high-capacity cooler for powerful multi-core processors. The small cooler appears in classic tower design and convince with its extremely efficient heat pipes and the fin design arrangement. This design ensures that the air circulates more easily through the innumerable fins. Thus the fan speed of the 92mm PWM fan can be kept very low. Additionally, the heat transmission between CPU and cooler is very evenly and efficient due to the direct contact of heat pipes and CPU.



Product Features

- Silent hydro bearing 92mm fan
- Two 6mm copper heat pipes for better heat flow
- Fin Design for high airflow and efficient cooling of the CPU and surrounding components
- Slight overhang of the fan avoids hotspots
- Possible mounting of the fan on both sides of the heat sink
- Suitable for all current AMD sockets

Technical Data

Sockets	AM5/AM4
CPU max. Watt	130W
Fan Size	92 x 92 x 25mm
Fan Speed	800 - 2000 ± 10% RPM
Air Flow	65.4 CFM
Fan Control	PWM
Noise Level	14.0 - 23.8 dB (A)
Thermal Paste	included
Dimensions (H/W/D)	130 x 93 x 75mm
Weight	335g

Logistical Data

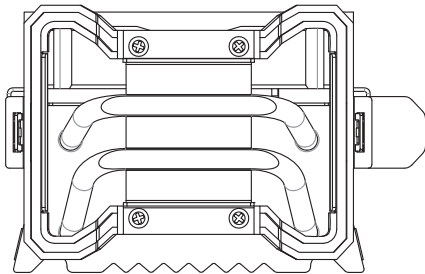
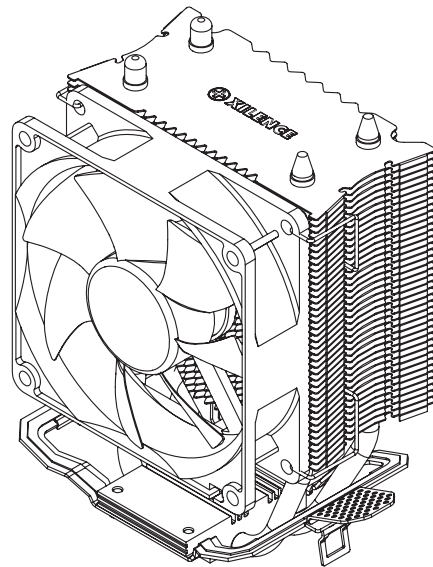
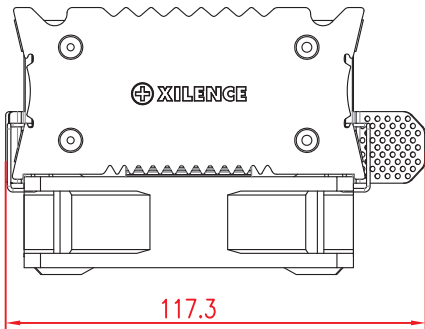
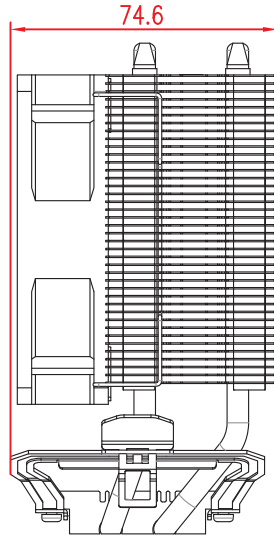
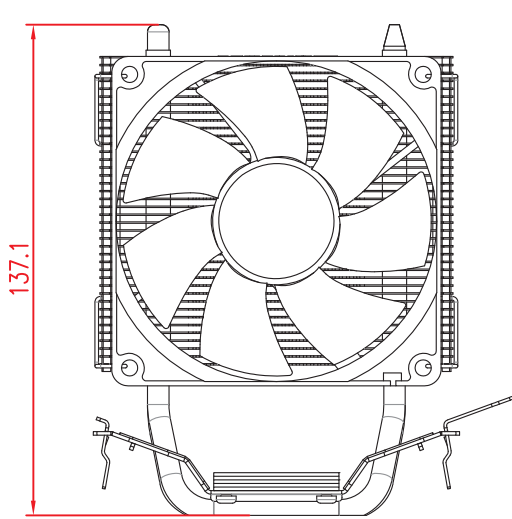
Manufacturer Number	A402
Item Number	XC025
EAN Barcode	4044953500275



All trademarks and registered marks are the property of their respective companies. Errors excepted. Subject to change without prior notice. Images may differ from original product.

Performance C Series

Technical Drawing



Logistical Data

Manufacturer number A402
Item number XC025
EAN Barcode 4044953500275