

# rotronic

Datenblatt - Fiche technique - Data sheet

17.03.1149



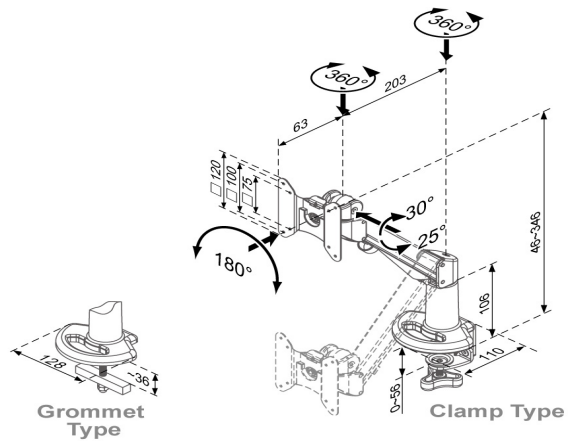
**ROLINE LCD-Arm Pneumatic, Tischmontage,  
1 Gelenk, Pivot,**

**ROLINE Support LCD à gaz, fonction pivot,**

**ROLINE LCD Monitor Stand Pneumatic, Desk Clamp,  
Pivot, 1 Joint**

Item no.: 17.03.1149

ROLINE LCD Monitor Stand, w/gas spring, 1 joint, silver color



## Features:

- Slim and streamlined design frees up desk space
- Allows effortless adjustment for viewing comfort
- Comes with both desk clamp and grommet mount
- Organized cable management gives a neat look
- Quick-release VESA enables easy installation
- VESA : 75/100 mm
- Loading : 3~8 Kgs
- Material: Aluminum alloy