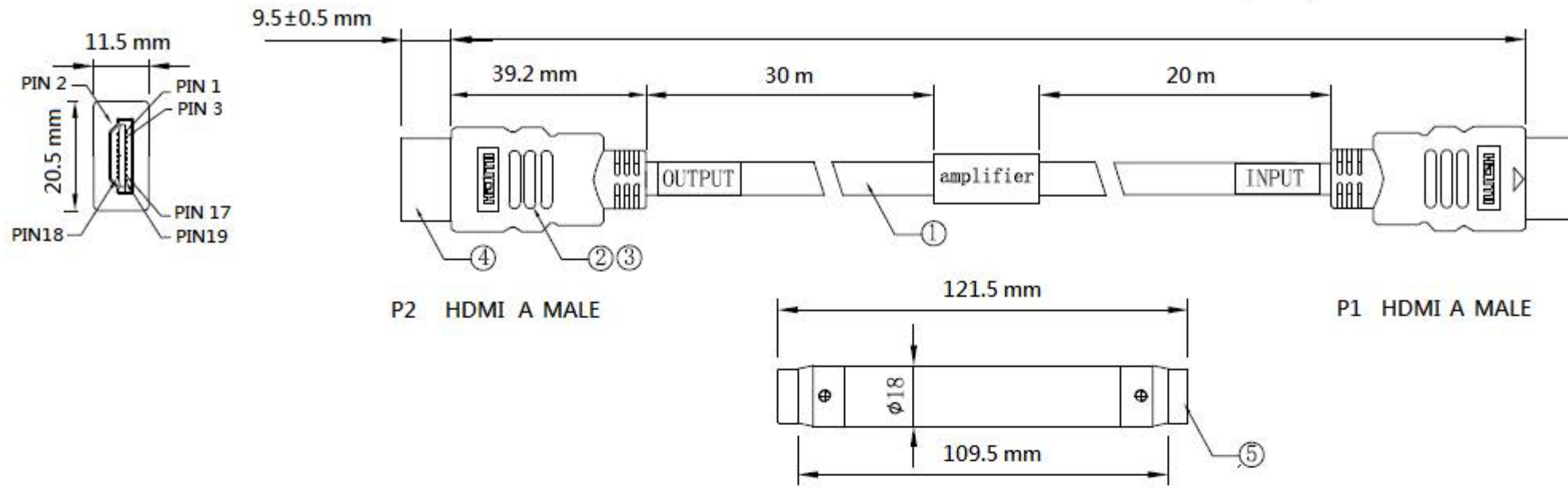
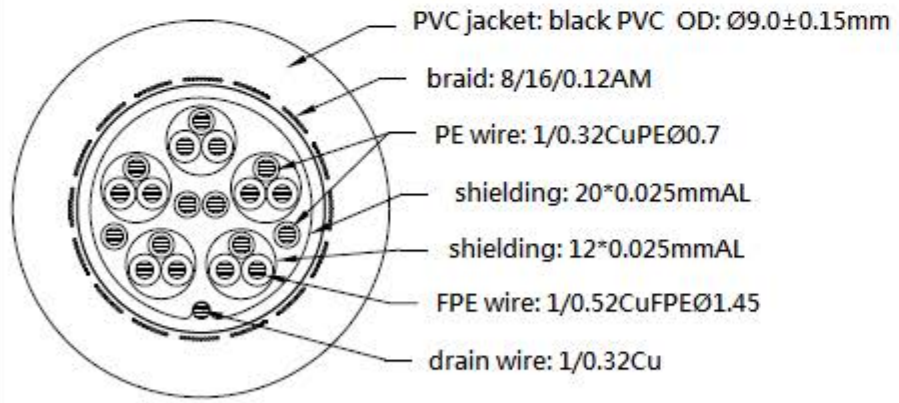


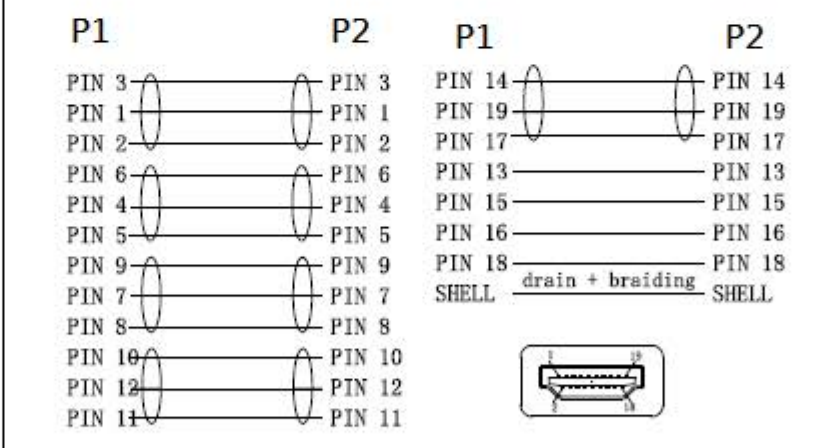
REV.	DESCRIPTION	DATE
A		2018-10-22
B		



Cable Specifications



Pin Assignment



- Test standard:
- 100% pass open circuit, short dircuit, dislocation test
 - On-resistance: 3 ohm Max.
 - Insulation resistance: 5MB ohm Min. DC300V/10ms

BOM LIST

NO.	SPECIFICATIONS
1	HDMI (#24*1P)*5+#28*4C+#28*1C+128AM
2	50P black PVC
3	clear PE inner molding
4	HDMI 19 Pin connector, gold plated
5	amplifier

ITEM NUMBER	14.01.3464			DRAWER	Ming
ROLINE HDMI High Speed Cable+Ethernet w/Repeater, M/M, 50m, black				CHECKED	
				APPROVED	
REV.	A	SCALE	Unit	mm	
SECOMP					