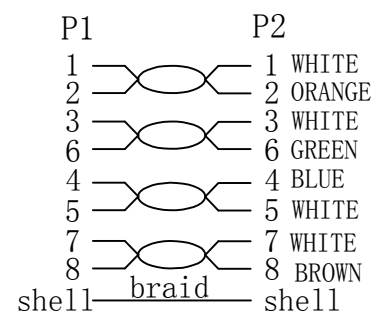


WIRING DIAGRAM(568B)



NOTE:

1. ELECTRICAL TEST:
 - (1). 100% OPEN SHORT, MISS WIRE TEST
 - (2). INSULATION RESISTANCE:DC 300V 10MΩ ;
 - (3). CONDUCTOR RESISTANCE:3Ω Max (More than 3m, add one ohm per meter) ;
2. Fluke channel link test:
TEST LIMIT:ISO11801 Channel Class Ea
3. PRINT WORD:
CAT. 6A S/FTP LSZH 500MHz ISO/IEC 11801 & EN 50173-1 & ANSI/TIA-568-C.2
4. ROHS2.0 & REACH COMPLIANT
5. Minimum of the bending radius is 50mm
(Suitable for all meters)

MATERIAL LIST

③	OVER MOLD	PVC 75A SEE THE CHART	2	
②	CONNECTOR	RJ45 8P8C Shielded Plug, Pin Gold Plated 3u", Shell Nickel Plating, Transparence blue	2	
①	CABLE	S/FTP CAT. 6A 27AWG(7/0.135Bare Copper*1P+AL-FOIL)*4PAIRS+BRAID (5*16/0.12mmAL-MG) COLOUR:WHITE JACKET:LSZH OD:6.2±0.2mm	1	
NO.	PARTS NAME	SPECIFICATION STANDARD	QT' Y	REMARK
		NEW	2015-10-21	A
BY	CHK	REVISION RECORD MODIFICATION	DATE	REV.

COLOUR:WHITE		
ITEM NO.	LENGTH	TOLERANCE
21. 99. 1970	0. 5m	±15mm
21. 99. 1971	1m	±30mm
21. 99. 1972	2m	±60mm
21. 99. 1973	3m	±90mm
21. 99. 1975	5m	±150mm
21. 99. 1976	7m	±210mm
21. 99. 1977	10m	±300mm
21. 99. 1978	15m	±450mm
21. 99. 1979	20m	±600mm

ITEM NO.	21. 99. 1970	21. 99. 1971	21. 99. 1972	21. 99. 1973	21. 99. 1975
	21. 99. 1976	21. 99. 1977	21. 99. 1978	21. 99. 1979	
DESC.	VALUE S/FTP CAT. 6a Patch Cord, white				

